

Description Of Transformer-Rectifiers

Quan: 2 Model 35974 (1500 mA) 144.3 KVA

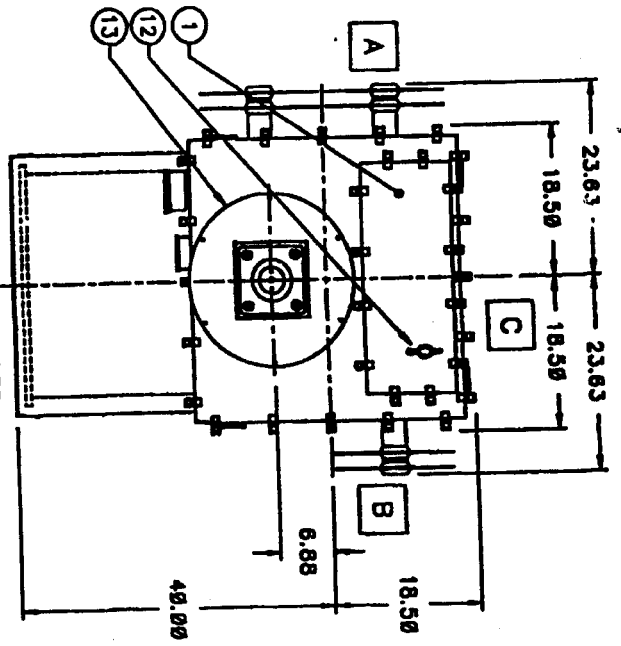
Quan: 2 Model 35975 (1000 mA) 96.2 KVA

All Manufactured By NWL – 11/93

Containment Pans available w/ T/R's

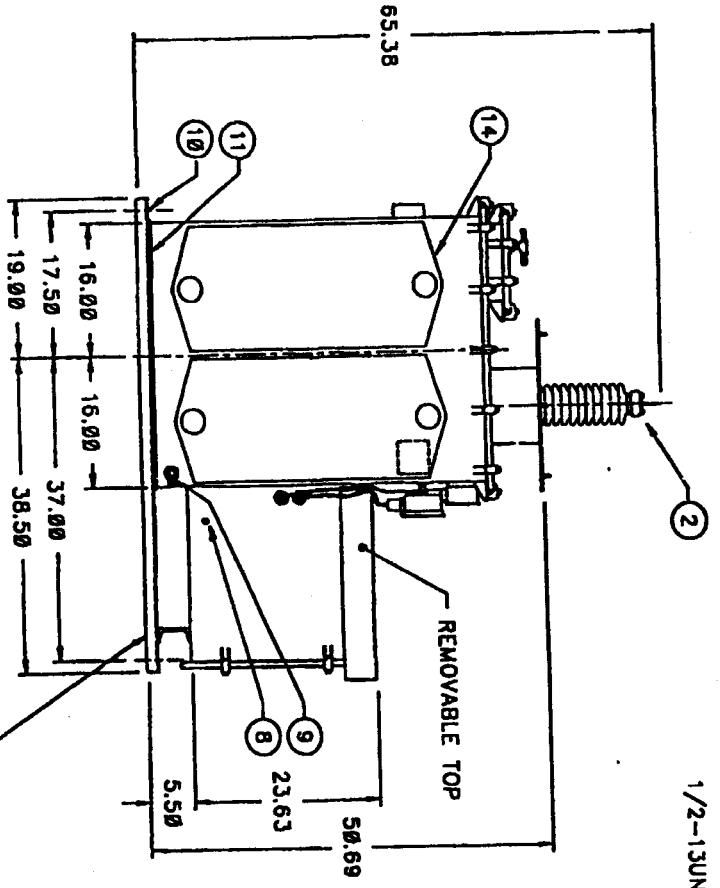
SPECIFICATIONS							
1 PH, 60 Hz, 55°C RISE, 40°C AMBIENT							
MODEL NUMBER	INPUT		OUTPUT		APPROX WEIGHT	QTY. OF RADIATORS	RADIATOR LOCATION
	VAC	AAC	KVDC	MADC			
35974	400	361	105KVDC pk	1500	4300#	3	(2)A - (1)B
35975	400	241	105KVDC pk	1000	4000#	2	(2)A

- ① HANDHOLE FOR INTERNAL ACCESS WITH REMOVABLE COVER
- ② HIGH VOLTAGE SEMI-OUTDOOR BUSHING SEE DETAIL "A" FOR CORONA RING WESTINGHOUSE STYLE ADAPTER SUPPLIED
- ③ MAGNETIC FLUID LEVEL INDICATOR SUPPLIED WITH ALARM CONTACTS
- ④ TEMPERATURE INDICATOR MOUNTED IN WELL TO FACILITATE REPLACEMENT SUPPLIED WITH OVERTEMP CONTACTS
- ⑤ LIFTING CHANNEL, C4-7.25# x 400 LG 4 PLC'S
- ⑥ NAMEPLATE LOCATION
- ⑦ LOW VOLTAGE JUNCTION BOX WITH REMOVABLE COVER, SEE DETAIL "B" FOR INTERNAL LAYOUT
- ⑧ 1/2-13UNC GROUND BOSS WITH THREAD PROTECTIVE PLUG
- ⑨ 0.5" VALVE & PLUG FOR DRAIN OR SAMPLING
- ⑩ MOUNTING HOLES, 0.69 DIA 4 PLC'S
- ⑪ 0.25" FLAT PLATE BOTTOM WITH (2) C3-5.0# STEEL CHANNELS & (1) C4-7.25# STEEL CHANNEL BASE MUST BE FULLY SUPPORTED
- ⑫ 0.5" FILL CPLG. WITH PRESSURE RELIEF VALVE INSTALLED
- ⑬ HV DUCT FLANGE, SEE DETAIL "C"
- ⑭ COOLING RADIATOR (TYP)



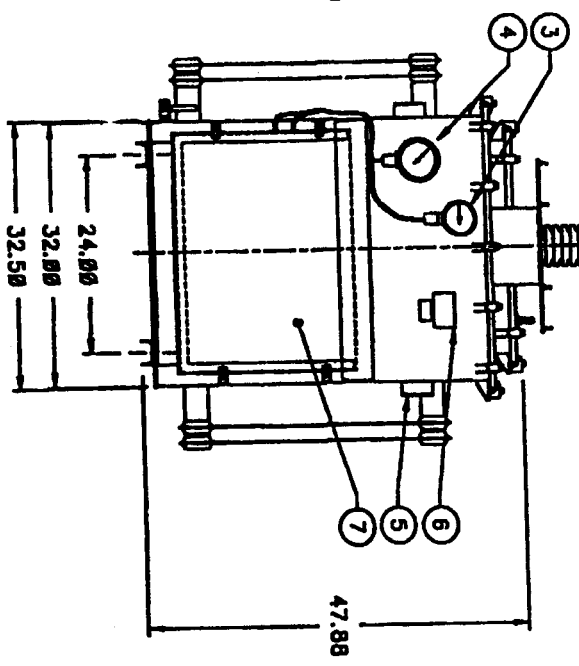
1/2-13UNC THD THRU

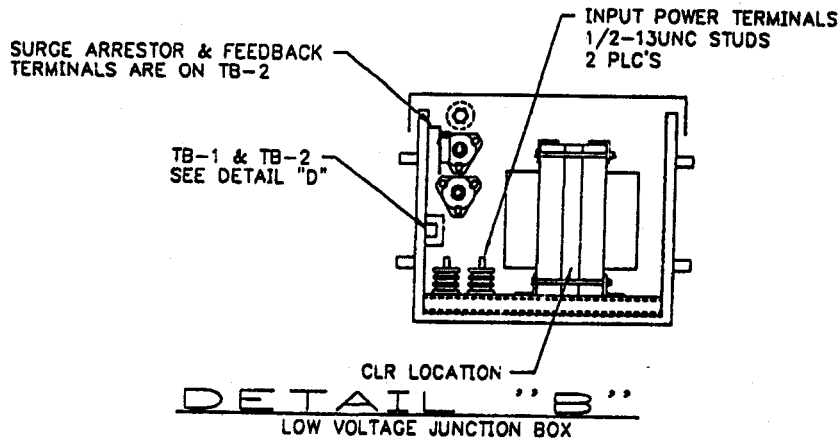
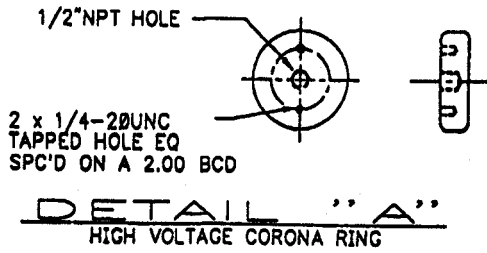
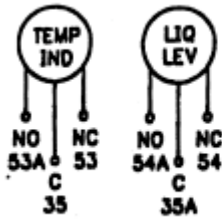
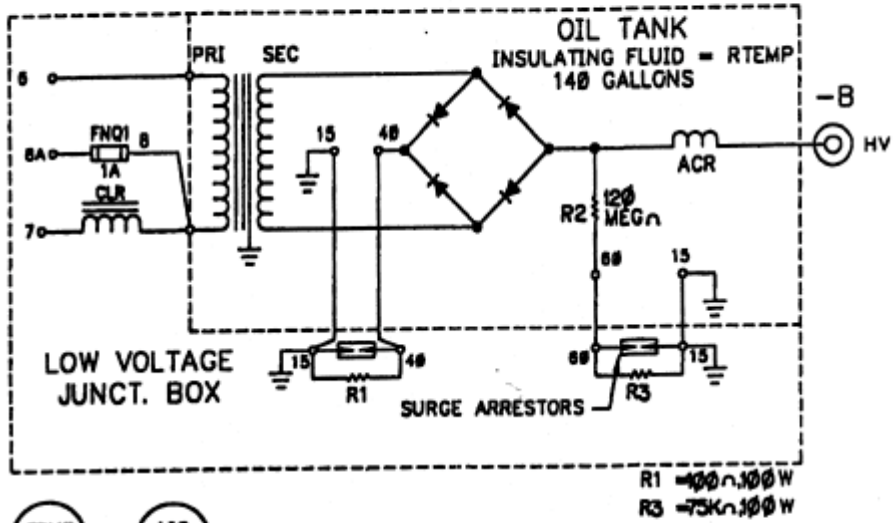
Ø.75



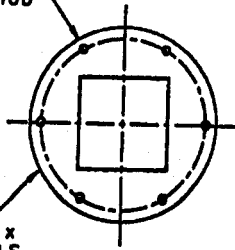
REMOVABLE TOP

T/R & JUNCTION BOX MUST BE FULLY SUPPORTED



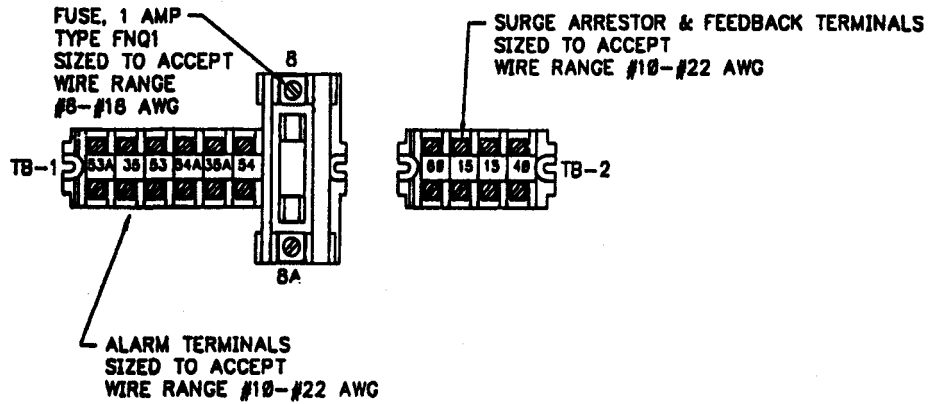


6 x 3/8-16UNC STUD
EQ SPC'D ON A
20.20 BCD



FLANGE
21.00 OD x
7 GA. H.R.S.

DETAIL "C"
HV DUCT FLANGE



DETAIL "D"