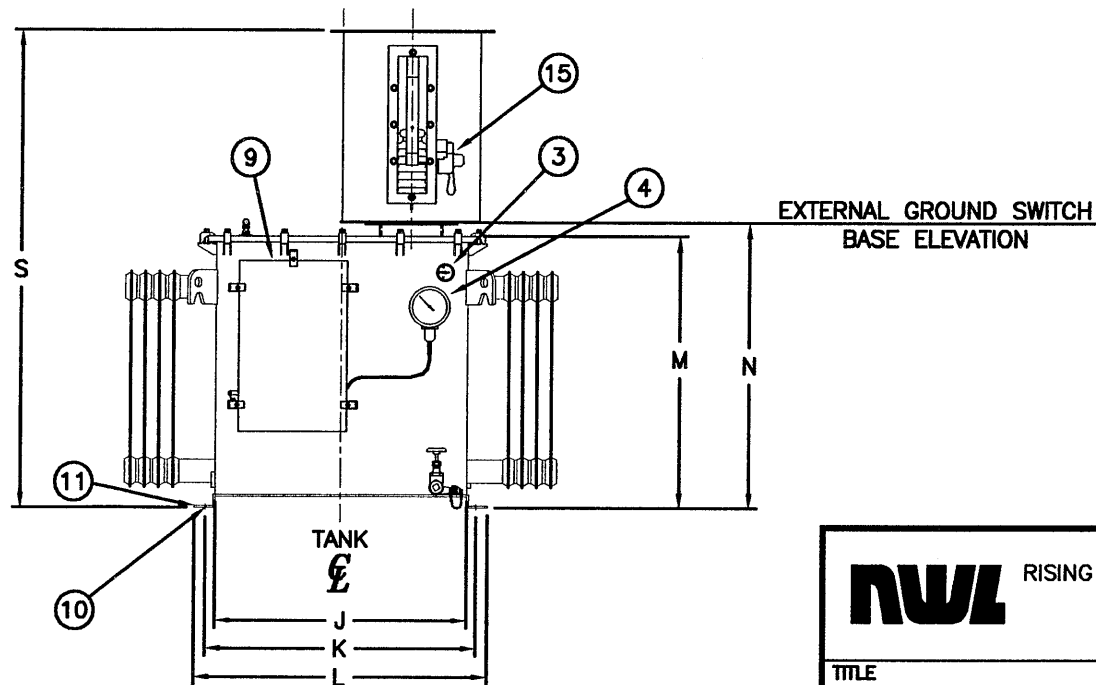
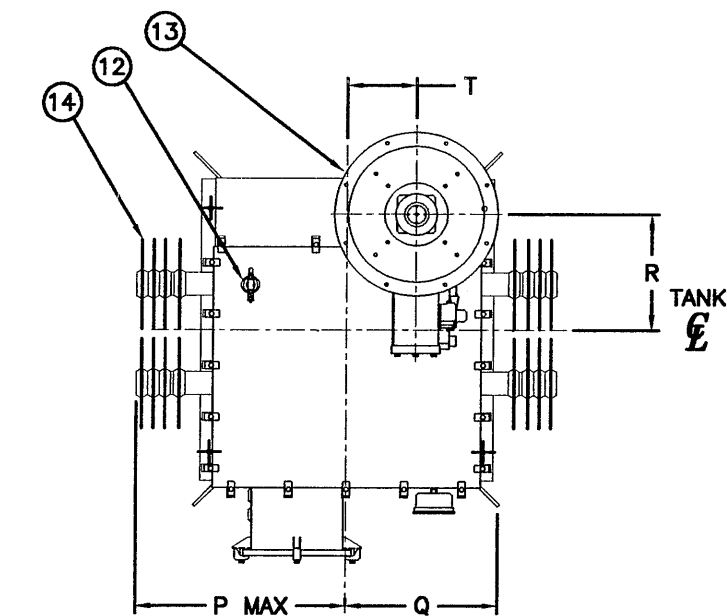
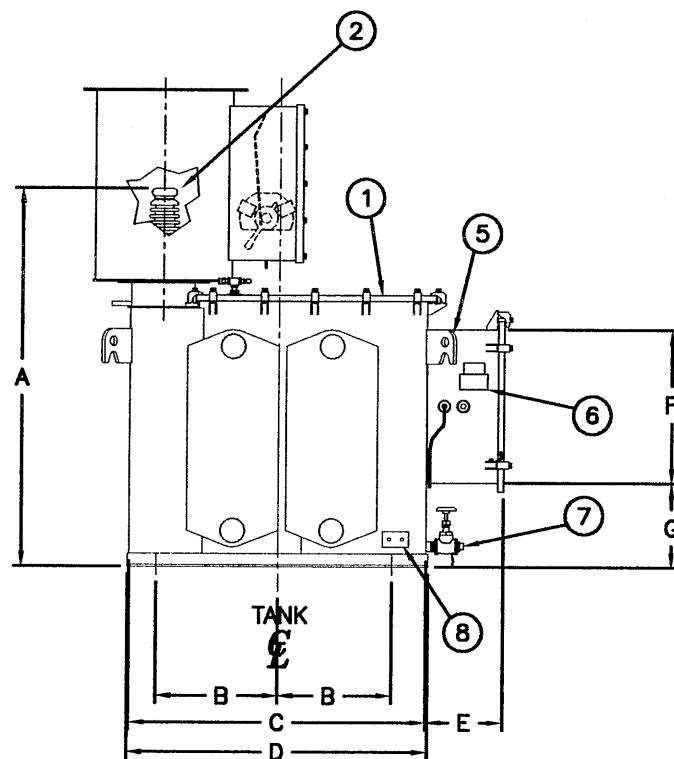
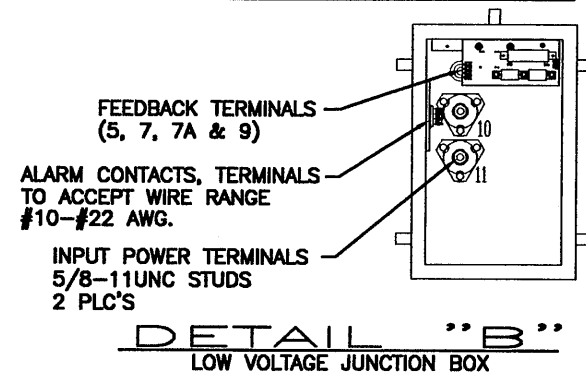
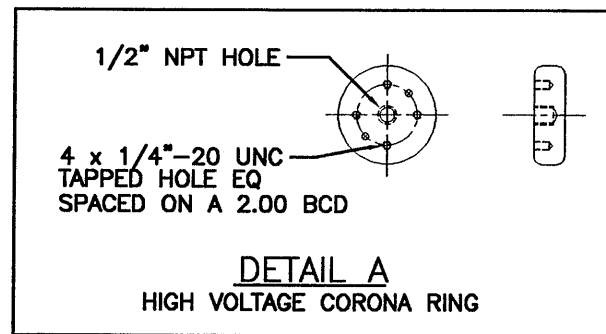
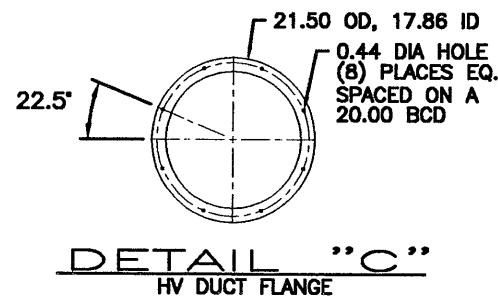


- ① HAND HOLE FOR INTERNAL ACCESS WITH REMOVABLE COVER.
- ② HIGH VOLTAGE SEMI-OUTDOOR BUSHING, SEE DETAIL "A" FOR CORONA RING.
- ③ MAGNETIC FLUID LEVEL INDICATOR.
- ④ TEMPERATURE INDICATOR WITH OVER TEMP CONTACTS. INDICATOR MOUNTED IN WELL TO FACILITATE REPLACEMENT.
- ⑤ LIFTING HOOK, 4 PLACES.
- ⑥ NAMEPLATE LOCATION.
- ⑦ 1" NPT DRAIN VALVE PROVIDED WITH PLUG AND SAMPLING DEVICE.
- ⑧ GRD PAD, TYPE 304 SS, (2) 1/2-13 UNC THREADED HOLES WITH PROTECTIVE PLUGS. TWO GRD PADS PROVIDED, ONE LOCATED OPPOSITE SIDE, DIAGONAL CORNER.
- ⑨ NEMA 4 LOW VOLTAGE JUNCTION BOX WITH REMOVABLE COVER. SEE DETAIL "B"
- ⑩ MOUNTING HOLES, 0.75 DIAMETER 4 PLACES.
- ⑪ FORMED 0.25" PLATE BOTTOM.
- ⑫ 1" NPT FILL CPLG. WITH PRESSURE RELIEF VALVE.
- ⑬ HV DUCT FLANGE. SEE DETAIL "C"
- ⑭ COOLING RADIATORS AS SHOWN.
- ⑮ 2 POS EXTERNAL GROUND SWITCH. FOR INTERLOCK LAYOUT SEE DWG: A105812.



REFERENCE DIMENSIONS TOLERANCE = ±0.13	
PAPER MILL APPLICATION	REF
PROJECT 180	
49.25	A
16.00	B
39.00	C
39.50	D
10.11	E
20.00	F
11.00	G
	H
33.00	J
36.00	K
38.50	L
35.40	M
37.12	N
27.70	P
20.17	Q
15.25	R
62.38	S
9.00	T
	V
3100 LB.	APP WT
125	APP GAL



REV	DATE	APP BY	DESCRIPTION

NWL RISING SUN ROAD, BORDENTOWN, N.J. 08505
TEL (609)-298-7300
FAX (609)-298-1982

TITLE
PHYSICAL OUTLINE, STANDARD T/R
PROJ 180, TOP MOUNT, NEMA 4 JB

SCALE ~	APP'D BY RJK	DATE 10/13/04
DWG. BY TDB	D.E. TDB	DWG. B119920

TOLERANCES: (UNLESS OTHERWISE SPECIFIED)
 ANGLES: +/- 5° DECIMALS: X +/- 0.1
 FRACTIONS: +/- 3/16 .XX +/- 0.05
 .XXX +/- 0.015

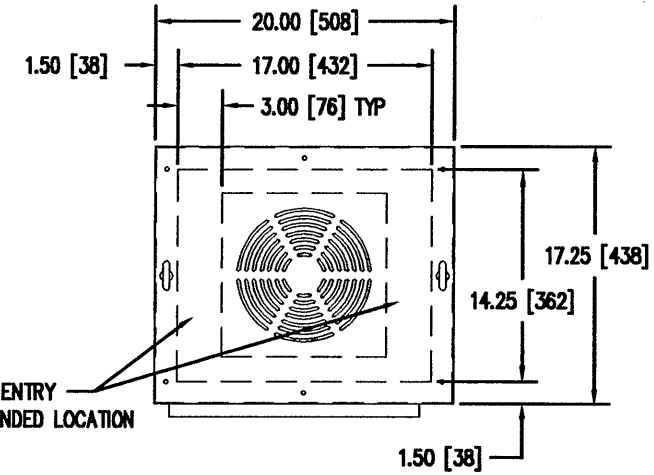
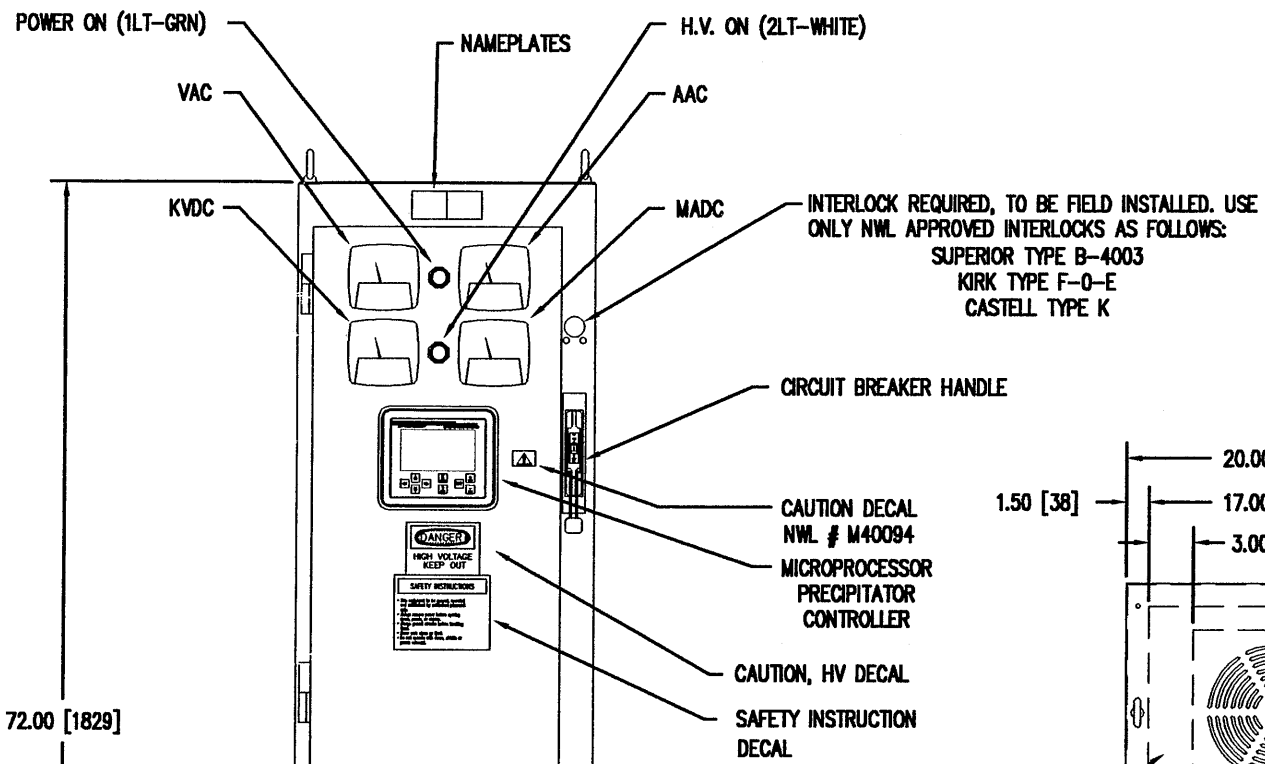
NWL PROPRIETARY INFORMATION, NOT TO BE REPRODUCED WITHOUT WRITTEN CONSENT.

10/13/04 FILENAME= H:\PROJECTS\ACADPRE\PRE\105571.DWG

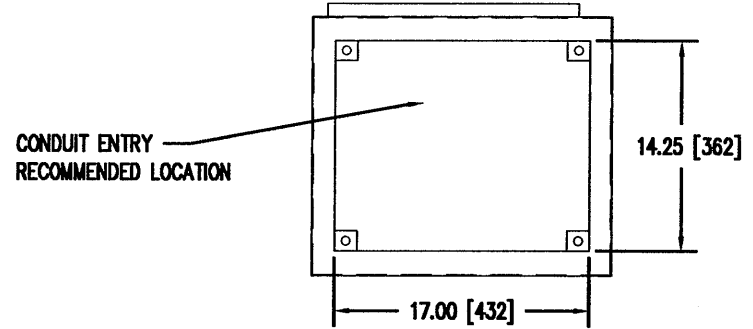
1 2 3 4 5 6 7 8 9 10

A
B
C
D
E
F

VIEW A-A



VIEW A-A



VIEW B-B

72.00 [1829]

16.00 [406]
20.00 [508]
.62 [16] DIA. MTG. HOLE
4-PLACES

13.25 [337]
17.25 [438]

NOTE:
1. - AVERAGE WEIGHT: 350 LBS. [160 Kg]

REV	DATE	APP BY	DESCRIPTION
E	11/14/04	RJK	ADDED WEIGHT
D	11/7/04	RJK	ADDED TOP CONDUIT ENTRY LOCATION
C	10/7/02	RJK	ADDED HIGH VOLTAGE AND SAFETY INSTR. STICKERS
B	4/27/02	RJK	UPDATED INTERLOCK NOTE, REM. INSTALL INSTRUCTIONS
A	10/2/99	RJK	ADDED CAUTION DECAL, M40094

NWL RISING SUN ROAD, BORDENTOWN, N.J. 08505
TEL (609)-298-7300
FAX (609)-298-1982

TITLE: **PHYSICAL OUTLINE
NWL GVC IIIA ENCLOSURE**

SCALE: 1=8 APP'D BY: RJK DATE: 06/02/99

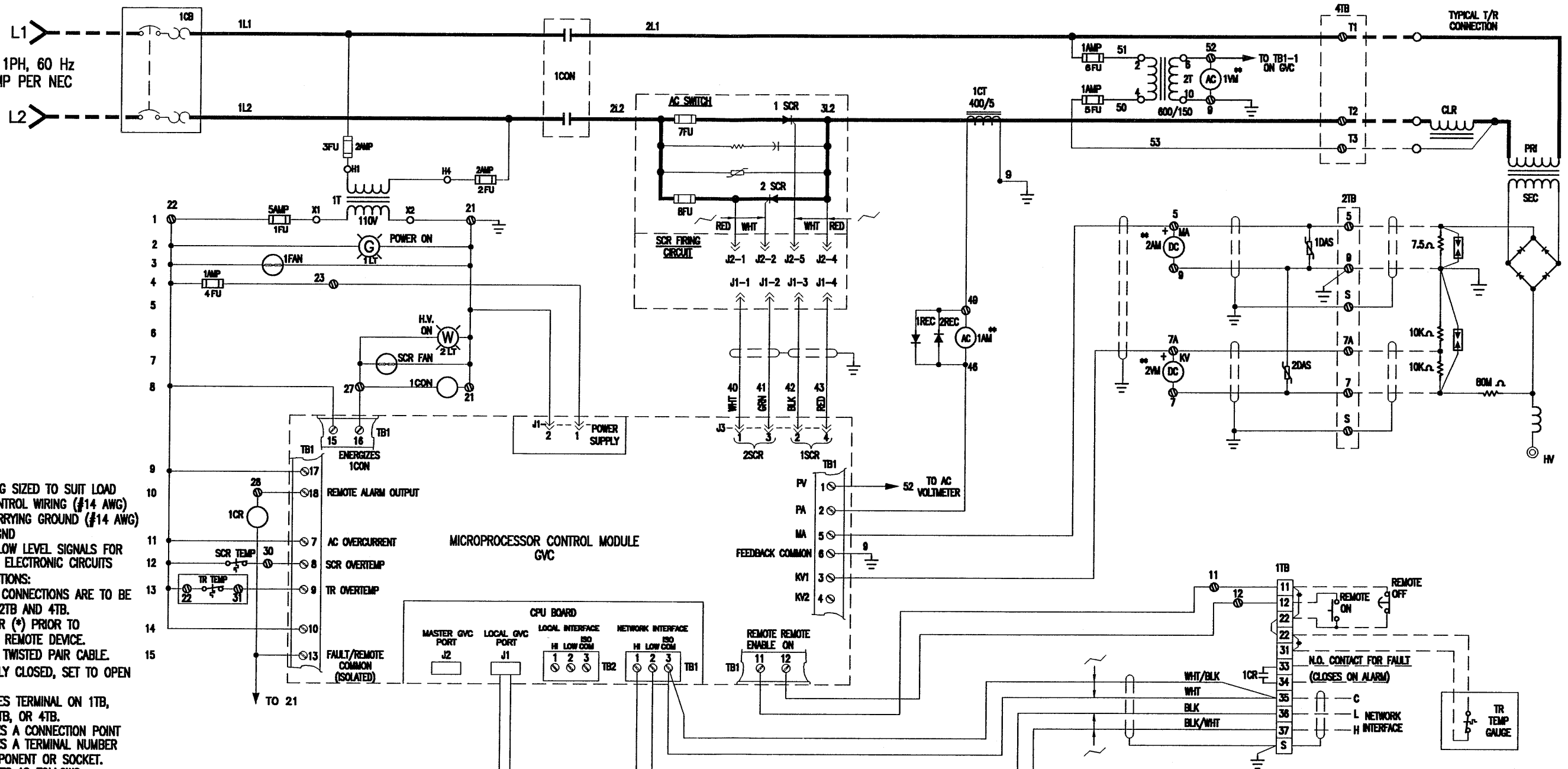
DWG. BY: PGF D.E.: PGF DWG. NO.: C102376

TOLERANCES: (UNLESS OTHERWISE SPECIFIED)
ANGLES: +/- 5° DECIMALS: X 1/16
FRACTIONS: +/- 3/16 32X 1/8 64X 1/16

NWL PROPRIETARY INFORMATION, NOT TO BE REPRODUCED WITHOUT WRITTEN CONSENT.

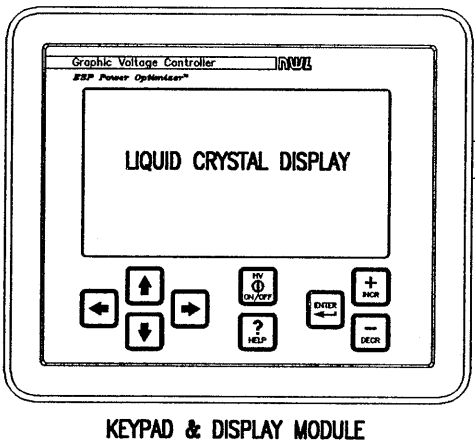
01/14/04 PL000000-18 VOLUME 15 VACUUM CONTROL SYSTEM

INPUT: 460 VOLT, 1PH, 60 Hz
WIRE FOR 400 AMP PER NEC



NOTES:

- COLOR LEGEND**
 BLK-POWER WIRING SIZED TO SUIT LOAD
 RED-120 VAC CONTROL WIRING (#14 AWG)
 WHT-CURRENT CARRYING GROUND (#14 AWG)
 GRN-EQUIPMENT GND
 SHIELDED CABLE-LOW LEVEL SIGNALS FOR ELECTRONIC CIRCUITS
- CUSTOMER CONNECTIONS:**
 A. ALL CUSTOMER CONNECTIONS ARE TO BE MADE ON 1TB, 2TB AND 4TB.
 B. REMOVE JUMPER (*) PRIOR TO CONNECTION OF REMOTE DEVICE.
- INDICATES TWISTED PAIR CABLE.
- SCR TEMP NORMALLY CLOSED, SET TO OPEN AT 180 °F [82°c].
- ⊙ - INDICATES TERMINAL ON 1TB, 2TB, 3TB, OR 4TB.
 ● - INDICATES A CONNECTION POINT
 ○ - INDICATES A TERMINAL NUMBER ON COMPONENT OR SOCKET.
- ** METER MOVEMENTS AS FOLLOWS:
 1VM - 150 VAC MOVEMENT, 600 VAC SCALE
 1AM - 5 AAC MOVEMENT, 400 AAC SCALE
 2VM - 1 mADC MOVEMENT, 80 KVDC SCALE
 2AM - 15 VDC MOVEMENT, 2000 mADC SCALE
- SIGNAL FEEDBACK WIRING TO BE 2 CONDUCTOR #18 SHIELDED CABLE. SHIELDS TO BE GROUNDED AT CONTROLLER END ONLY. CABLES MUST BE RUN IN A SEPARATE GALVANIZED STEEL CONDUIT.
- NETWORK INTERFACE WIRING TO BE 22 OR 24 AWG TWISTED PAIR CABLE WITH A MAXIMUM SHUNT CAPACITANCE OF 16 pf/ft AND 100 OR 120 OHM CHARACTERISTIC IMPEDANCE.



REV	DATE	APP BY	DESCRIPTION

NWL RISING SUN ROAD, BORDENTOWN, N.J. 08505
 TEL (609)-298-7300
 FAX (609)-298-1982

TITLE: **ELECTRICAL SCHEMATIC FOR NWL # 119922**

SCALE: NONE	APP'D BY: RJK	DATE: 10/13/04
DWG. BY: SCC	D.E.: SCC	DWG.: B120131

TOLERANCES: (UNLESS OTHERWISE SPECIFIED)
 ANGLES: +/- 5° DECIMALS: .XX +/- 0.1
 FRACTIONS: +/- 3/16 .XXX +/- 0.015

NWL PROPRIETARY INFORMATION, NOT TO BE REPRODUCED WITHOUT WRITTEN CONSENT.

FILENAME= H:\PROJECTS\ACADPRE\CONTROLS\119590.DWG